

# Fosroc Nitoseal MB175

Formerly known as: Plastiseal



constructive solutions

## Rubber-bitumen cold applied joint sealant

### Uses

- For sealing joints in flashings, guttering and sheet laps
- Irrigation channels
- Open water retaining structures
- An integral part of the Proofex waterproofing system

### Advantages

- Firm flexible weather resistant seal
- Excellent slump resistance
- Excellent immersed adhesion
- Compatible with asphalt or bituminous surfaces
- Unaffected by alkalis or sulphates
- Easily gunned
- Suitable for joints up to 40 mm wide

### Description

Nitoseal MB175 is a flexible rubber-bitumen joint sealant with excellent slump resistance. For large projects, such as sealing joints in irrigation canals, Nitoseal MB175 can be supplied in 180 litre drums for application from the drum by a Graco, or similar, air operated pump.

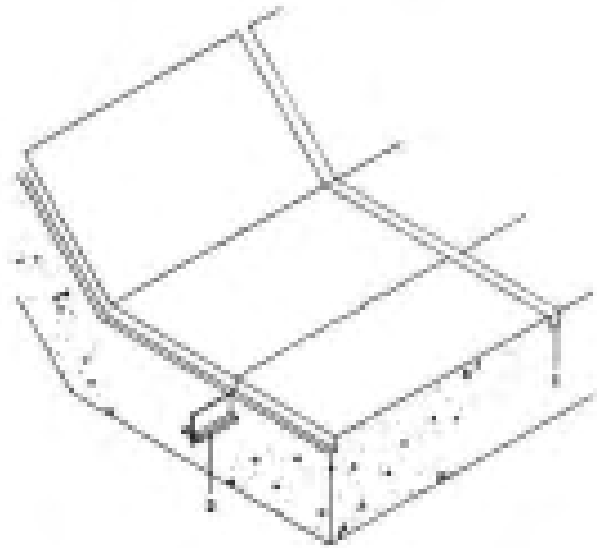
### Design criteria

**Joint size:** Joints should be of a size to permit adequate application of Nitoseal MB175. Very narrow joints are difficult to seal effectively and for most applications 10 mm should be considered the minimum width. Maximum recommended width is 40 mm. A minimum seal depth of 15 mm must always be maintained.

To ensure that the sealant operates within its stated movement capacity (MAF 10% in butt joints) the sealing slot widths should be designed in accordance with the recommendations of BS 6093.

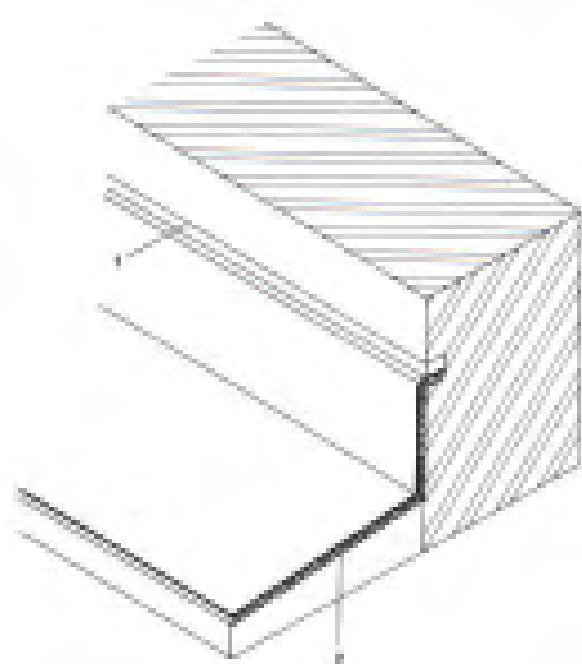
The use of Primer 3 is always recommended on porous surfaces.

Example of a sealed transverse joint in an irrigation canal (showing longitudinal joint incorporating special canal joint crack inducing waterstop)



- 1 Nitoseal MB175
- 2 Special PVC section

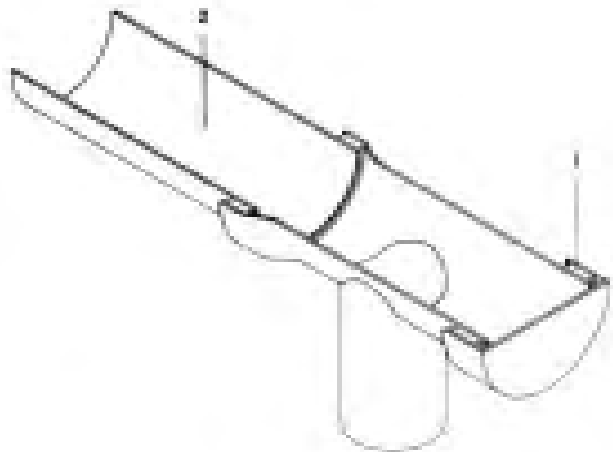
Example of a sealed roof perimeter joint is shown below



- 1 Nitoseal MB175
- 2 Asphalt, bituminous or other roof finish

# Fosroc Nitoseal MB175

Example of a sealed joint in guttering shown below.



- 1 Nitoseal MB175
- 2 Gutter

## Properties

<b>Form</b>	: Semi-stiff paste
<b>Colour</b>	: Black
<b>Movement accommodation factor BS 6093</b>	<b>ac-</b> : 10% for butt joints 20% for lap joints
<b>Setting time</b>	: 24 to 48 hours depending on conditions of exposure
<b>Application temperature</b>	: 5 to 50°C
<b>Solids content</b>	: 90% minimum
<b>Physical or chemical change</b>	: Solvent release
<b>Chemical resistance to occasional spillage</b>	: Dilute acids resistant Dilute alkalis resistant Solvents not resistant Petroleum not resistant Lubricants not resistant

## Water immersion:

:  
Before permanent immersion in water Nitoseal® MB175 must be left for a minimum period of 14 days to permit evaporation of its solvent content, this is dependent upon the ambient conditions and depth of NitosealMB175

<b>Solids content</b>	: 90% minimum
<b>VOC content</b>	: 112.9 g / litre

## Primer 3

<b>Application temperature</b>	: 5 to 50°C
<b>Drying time</b>	: 1 to 4 hour @ 25°C

## Specification

Joints shall be sealed, where designated, using Nitoseal MB175, rubber-bitumen sealant, manufactured and supplied by Fosroc. The sealant shall be applied strictly in accordance with the manufacturer's current technical data sheet.

## Instructions for use

### Joint preparation

Ensure that the joint surfaces are completely dry, clean and frost free. Remove all dirt, dust, laitance and loose material by rigorous wire brushing. Remove all rust, scale and protective lacquers from metal surfaces. Remove any oil or grease with Solvent 102.

### Gun loading

Cut conical tip off cartridge end thread, screw on nozzle, cut at 45° to required size and fit into sealant gun.

In expansion joints, Nitoseal MB175 must always be supported by a firm backing to allow free movement. Where a particularly neat finish is required, cover face edges of joint with masking tape before priming and remove immediately after sealing work is completed.

### Priming porous surfaces

Use Primer 3 on concrete, stone, brickwork, timber and unglazed edges of ceramic tiles. Allow primer to become touch dry before sealing, normally 1 to 4 hours at 25°C.

### Priming non-porous surfaces

Not normally required. Ferrous metals should be treated with an anti-corrosion primer.

### Cleaning

Clean up equipment immediately after use with Solvent 102, white spirit or paraffin.

### Maintenance

No special requirement, damage should be repaired if and when it occurs.

# Fosroc Nitoseal MB175

## Limitations

- Nitoseal MB175 should not be used in closed tanks or reservoirs where poor ventilation will seriously inhibit evaporation of solvent from the Nitoseal MB175.
- Before permanent immersion in water, Nitoseal MB175 must be left for a minimum period of 14 days to permit evaporation of its solvent content, this is dependent upon ambient conditions and depth of the Nitoseal MB175.

## Technical support

Fosroc offers a comprehensive technical support service to specifiers, end users and contractors. It is also able to offer on-site technical assistance, an AutoCAD facility and dedicated specification assistance in locations all over the world.

## Estimating

### Supply

<b>Nitoseal MB175</b>	:	380ml cartridges & 20 litre pack
<b>Primer 3</b>	:	5 litre pack

### Coverage

<b>Primer 3</b>	:	12.5 m <sup>2</sup> /litre
-----------------	---	----------------------------

## Guide to Nitoseal MB175 quantities

These are theoretical yields without allowance for joint size variation or wastage.

Joint size in mm wxd	Litre per metre run	Metre per 400 ml	Metre per 25 litre
10 x 15	0.15	2.60	166.60
20	0.20	2.00	125.00
15 x 15	0.23	1.80	108.70
20	0.30	1.30	83.30
20 x 15	0.30	1.30	83.30
20	0.40	1.00	62.50
25	0.50	0.80	50.00
25 x 15	0.38	1.10	65.70
20	0.50	0.80	50.00
25	0.63	0.64	39.70
30 x 25	0.75	0.53	33.30
30	0.90	0.44	27.70
35 x 25	0.88	0.46	28.40
30	1.10	0.38	22.70
40 x 25	1.00	0.40	25.00

## Storage

Nitoseal MB175 will have a shelf life of 12 months when stored in dry conditions below 50°C.

When stored in cold stores Primer 3 will have a shelf life of 12 months.

## Precautions

### Health and safety

Nitoseal MB175, Primer 3 and Solvent 102 should not come in contact with the skin and eyes, or be swallowed.

Ensure adequate ventilation and avoid inhalation of vapours. Wear suitable protective clothing, gloves and eye protection.

Remove Nitoseal MB175 from the hands with 'Kerocleanse 22', 'Swarfega' or similar industrial hand cleanser.

In case of contact with skin, rinse with plenty of clean water, then cleanse with soap and water. Do not use solvent. In case of contact with eyes, rinse immediately with plenty of clean water and seek medical advice. If swallowed seek medical attention immediately - **do not** induce vomiting.

### Fire

Nitoseal MB175, Primer 3 and Solvent 102 are flammable. Keep away from sources of ignition. No smoking. In the event of fire extinguish with CO<sub>2</sub> or foam. Do not use a water jet.

### Flash points

<b>Nitoseal MB175</b>	:	61°C
<b>Primer 3</b>	:	37°C
<b>Solvent 102</b>	:	33°C

For additional information see relevant Safety Data Sheet.

# Fosroc Nitoseal MB175

---

## Additional Information

Fosroc manufactures a wide range of complementary products which include :

- waterproofing membranes & waterstops
- joint sealants & filler boards
- cementitious & epoxy grouts
- specialised flooring materials

Fosroc additionally offers a comprehensive package of products specifically designed for the repair and refurbishment of damaged concrete. Fosroc's 'Systematic Approach' to concrete repair features the following :

- hand-placed repair mortars
- spray grade repair mortars
- fluid micro-concretes
- chemically resistant epoxy mortars
- anti-carbonation/anti-chloride protective coatings
- chemical and abrasion resistant coatings

For further information on any of the above, please consult your local Fosroc office - as below.

\* Denotes the trademark of Fosroc International Limited

† See separate data sheet



## Important note

Fosroc products are guaranteed against defective materials and manufacture and are sold subject to its standard Conditions for the Supply of Goods and Service. **All Fosroc datasheets are updated on a regular basis. It is the user's responsibility to obtain the recent version.**

### Head Office

telephone: (+9714) 2039699

fax: (+9714) 2859649

email: [agf@fosroc.com](mailto:agf@fosroc.com)

## Al Gurg Fosroc LLC

Post Box 657, Dubai  
United Arab Emirates

[www.fosroc.com](http://www.fosroc.com)

### Regional offices

Abu Dhabi, Al Gurg Fosroc  
Bahrain, YBA Kanoo  
Kuwait, Boodai  
Oman, Al Amana  
Qatar, Tadmur

telephone: 673 1779  
telephone: 17738200  
telephone: 4817618  
telephone: 24815080  
telephone: 4432365

fax: 673 1449  
fax: 17732828  
fax: 4832124  
fax: 24817554  
fax: 4419517

email: [abudhabi@fosroc.com](mailto:abudhabi@fosroc.com)  
email: [bahrain@fosroc.com](mailto:bahrain@fosroc.com)  
email: [kuwait@fosroc.com](mailto:kuwait@fosroc.com)  
email: [oman@fosroc.com](mailto:oman@fosroc.com)  
email: [qatar@fosroc.com](mailto:qatar@fosroc.com)

